

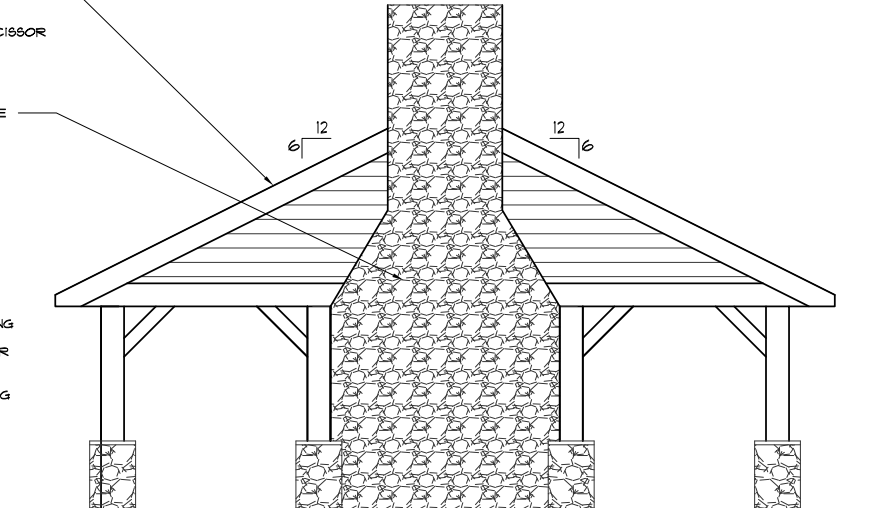
SIDE ELEVATION

SCALE: 1/4"=1'-0"

235 ROOFING OVER 15" FELT OVER 3/4" OSB PLYWOOD ON PRE-ENGINEERED SCISSOR TRUSSES @ 24" O.C.

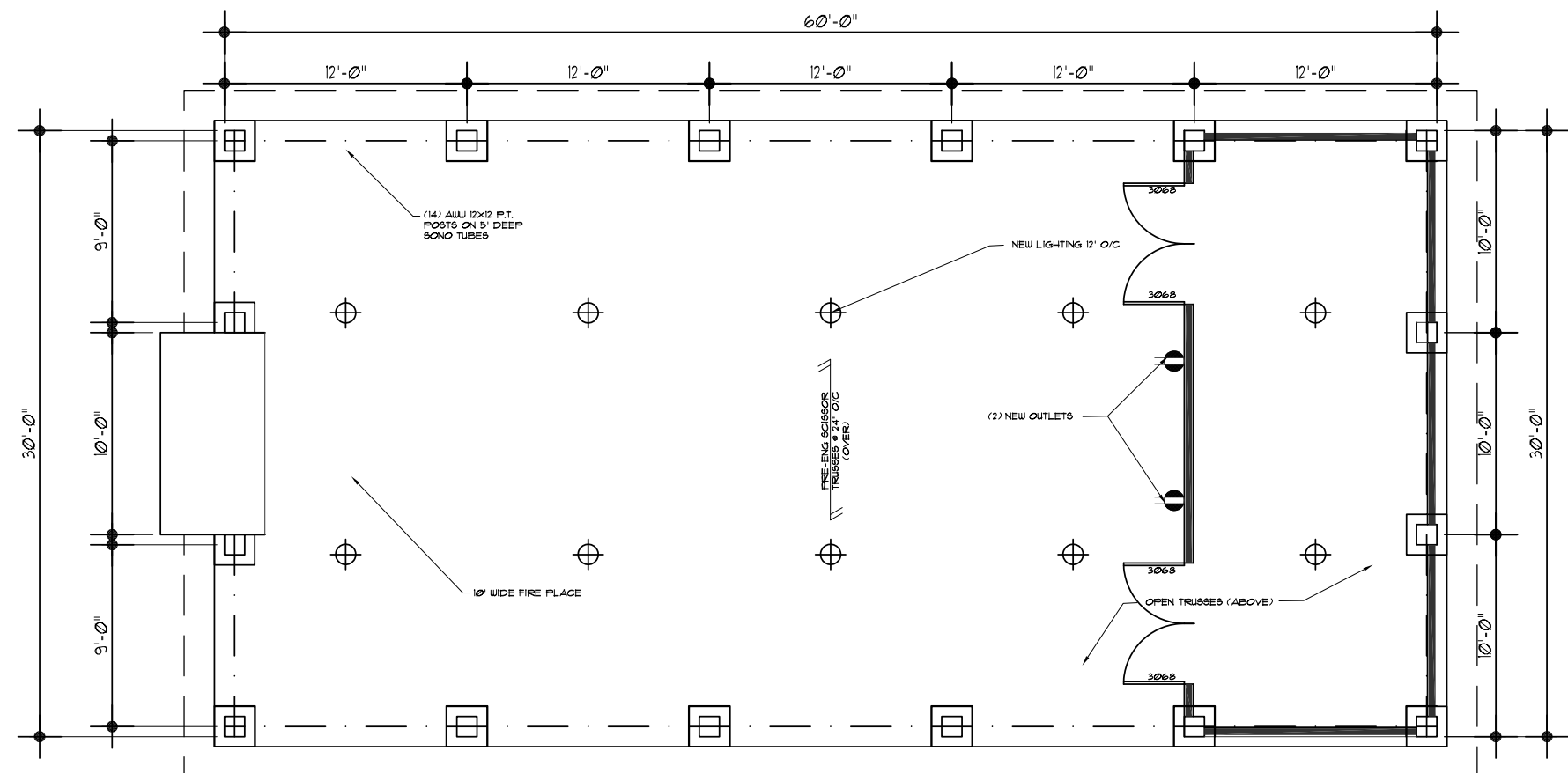
MASONRY FIREPLACE AND CHIMNEY

NEW WALL CONST. (TYP.) NEW LP SMART SIDING OVER VAPOR BARRIER- TYVEK OR APPROVED EQUAL- ON 1/2" C.D.X. PLYWOOD SHEATHING ON 2x6 STUD WALL FRAMING 16" O.C.



FRONT ELEVATION

SCALE: 1/4"=1'-0"



FLOOR PLAN

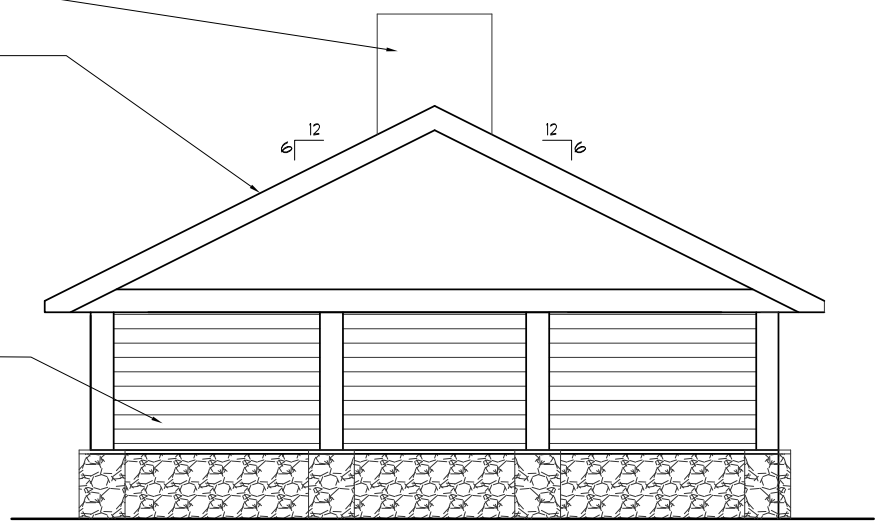
SCALE: 1/4"=1'-0"

MASONRY FIREPLACE AND CHIMNEY

235 ROOFING OVER 15" FELT OVER 3/4" OSB PLYWOOD ON PRE-ENGINEERED SCISSOR TRUSSES @ 24" O.C.

NEW WALL CONST. (TYP.) NEW LP SMART SIDING OVER VAPOR BARRIER- TYVEK OR APPROVED EQUAL- ON 1/2" C.D.X. PLYWOOD SHEATHING ON 2x6 STUD WALL FRAMING 16" O.C.

2'-0" OH. TYP.



REAR ELEVATION

SCALE: 1/4"=1'-0"



LDN Drafting & Design, LLC
 Crystal Falls, MI 49920
 LDNdrafting@gmail.com . 248-739-9262

PROJECT NAME:
OUT DOOR CLASSROOM
TREES FOR TOMORROW
EAGLE RIVER, WI

OWNER CONTACT:

REVISIONS:	
REVIEW	- 3/5/2025
DRAWN BY:	LDN 04/18/2023

SHEET TITLE:
FLOOR PLAN & ELEVATIONS

SHEET NUMBER:
1 OF 2